

## LRM Voltage Indicator: CVI

The Capacitive Voltage Indicator is designed for to use with MV capacitive voltage divider devices.





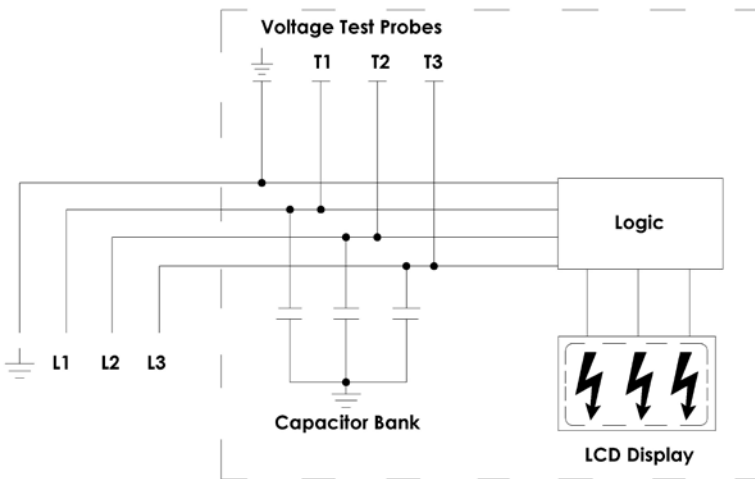
### Features:

- LRM system
- According to IEC 62271-213
- No auxiliary power is needed for voltage detection
- 3-Phase LCD display
- Easy for installation and maintenance
- Economical alternative

### Technical Parameters:

- 1.Rated frequency : 50Hz or 60Hz
- 2.Threshold voltage : 10% to 45%Un
- 3.Operating temperature : -25°C to +55°C
- 4.Storage temperature : -30°C to +80°C
- 5.Protection class : IP54
- 6.Power freq. withstanding voltage: 2kV/1min
- 7.Connection leads : 4.8\*0.8mm fast-on terminals
- 8.Dimension : 96\*50\*50mm
- 9.Cutting size : 91\*45mm

INDICATION OF LCD	Indication with normal operation	Status of phase Voltage U
No indication	No Voltage	$U < 10\% * U_n$
	Voltage Present (light black arrow)	$10\% * U_n < U < 45\% * U_n$
	Nominal Voltage Present (full arrow)	$U > 45\% * U_n$



### Required data for order:

- Capacitance of coupling electrode C1
- C2 options; 3.3, 6.8, 10, 22, 47, 68, 80 nF
- Cable type and length
- Rated Voltage Un